



NICHIBOKU LTD  
Made in Japan High Quality Products



# Nakai Bolt Heater

RIGID & FLEXIBLE TYPE.



MADE IN JAPAN

## High Quality



NICHIBOKU LTD  
Made in Japan High Quality Products



Flexible Type



MADE IN JAPAN  
High Quality

# Nakai Bolt Heater



BOLT HEATER  
V KW φ No  
DIA HEAT  
NAKAI CO., LTD



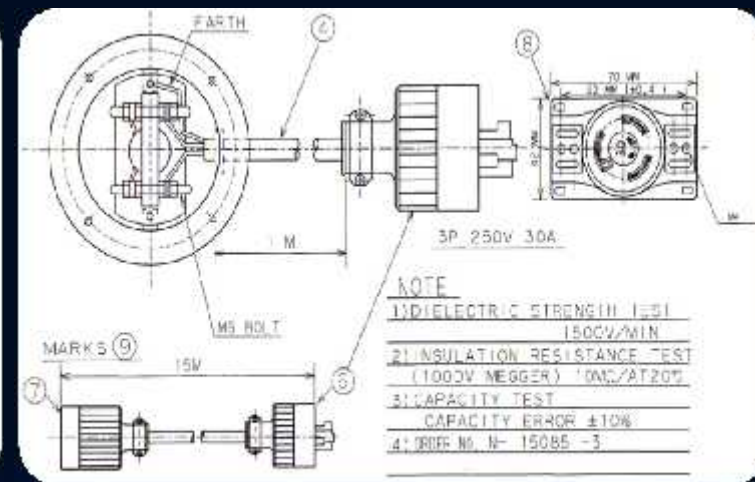
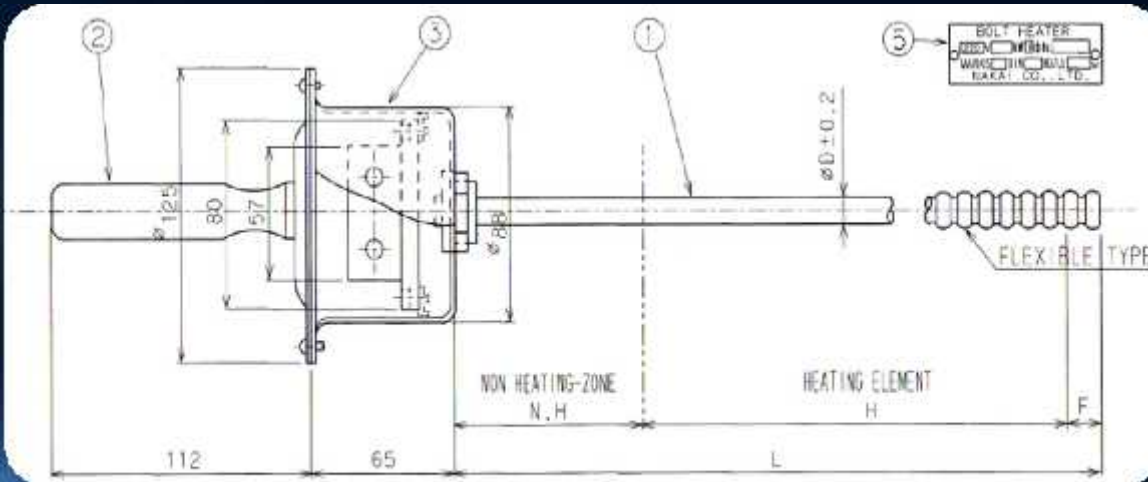
# Nakai Bolt Heater



Flexible Type



MADE IN JAPAN  
High Quality



NICHIBOKU LTD  
Made in Japan High Quality Products





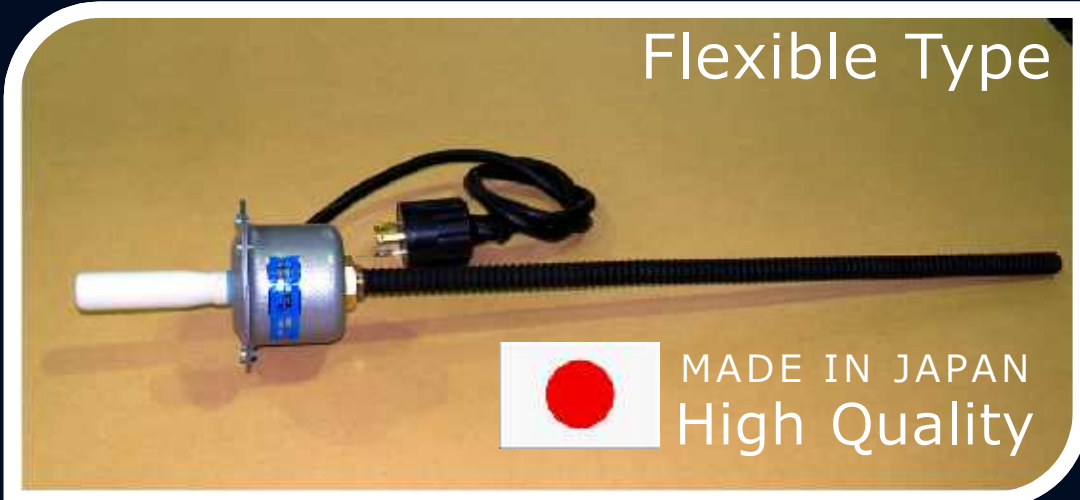


**NICHIBOKU LTD**  
 Made in Japan High Quality Products



# Nakai Bolt Heater

Mark	Name Of Parts	Material	No.req'd	Remarks
01	PIPE	SUS 304	1	
02	HEATER ELEMENT		1	
03	INSULATOR	MGO	1	
04	HANDLE	CERAMIC	1	
05	TERMINAL BASE	BAKELITE	1	
06	TERMINAL SETTING -BOARD	SS-400	2	
07	TERMINAL SETTING -BOARD	BS	1	
08	TERMINAL COVER	SS-400	1	
09	LEAD BUSING	GUM	1	
10	CABLE	CHLORO PRENE	1	MT
11	NAME PLATE		1	NAKAI
12	3 CORE PLUG		NA	
13				
14				



MARKS	CAPACITY ( KW )	POWER	DIA	L	H	N.H	BOLT		Q'TY	REMARKS	W/CM2
			MM	MM	MM	MM	HOLE	SIZE			
01											
02											
03											
04											
05											
06											
07											
08											
09											
10											

TECHNICAL SPECIFICATIONS

# Nakai Bolt Heater

## Rigid Type



 MADE IN JAPAN  
High Quality



**NICHIBOKU LTD**  
Made in Japan High Quality Products

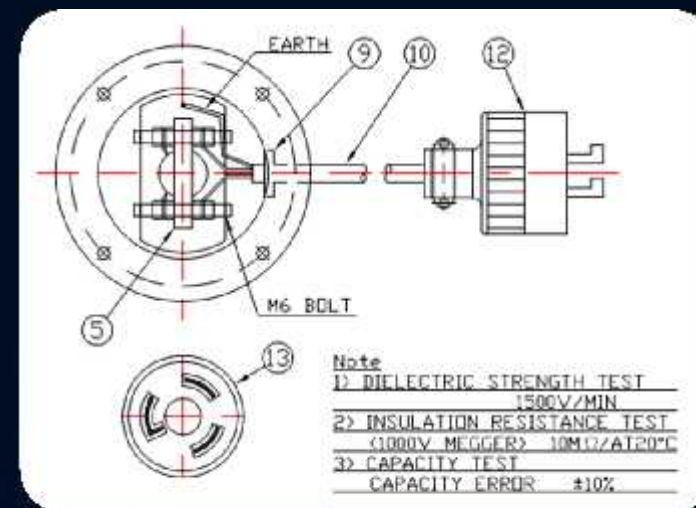
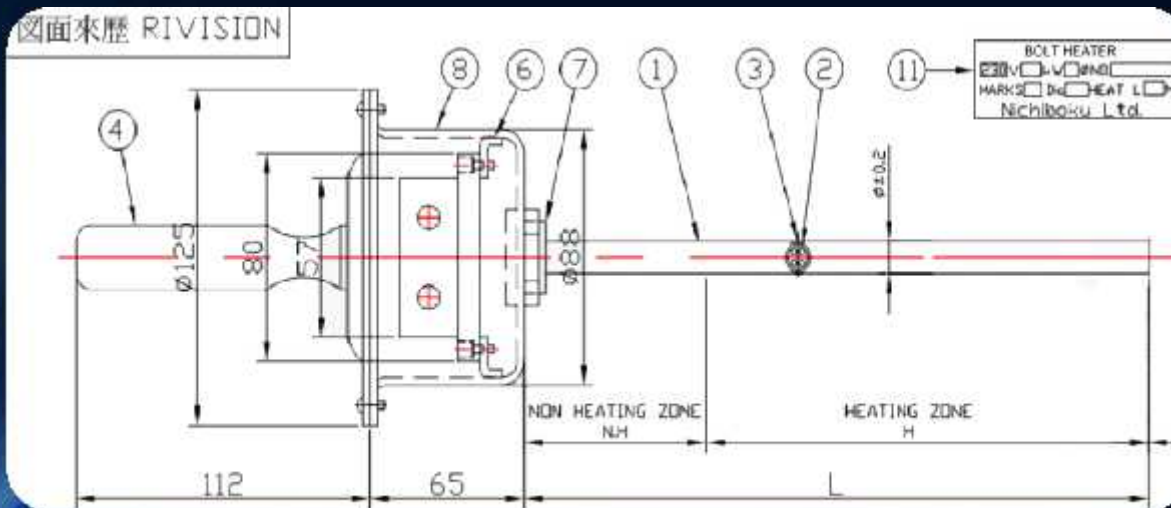
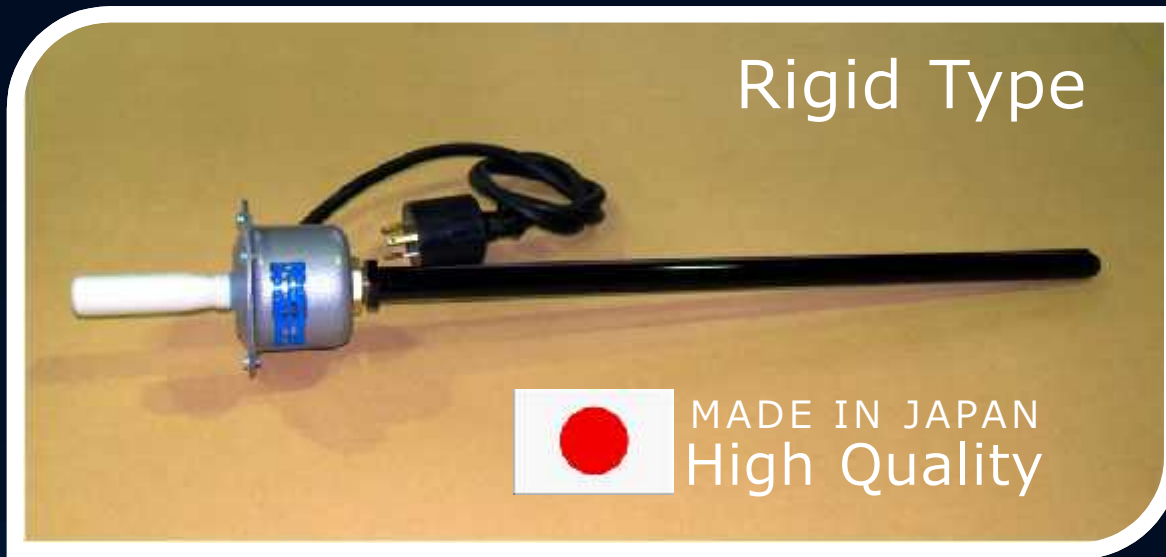




NICHIBOKU LTD  
Made in Japan High Quality Products



# Nakai Bolt Heater





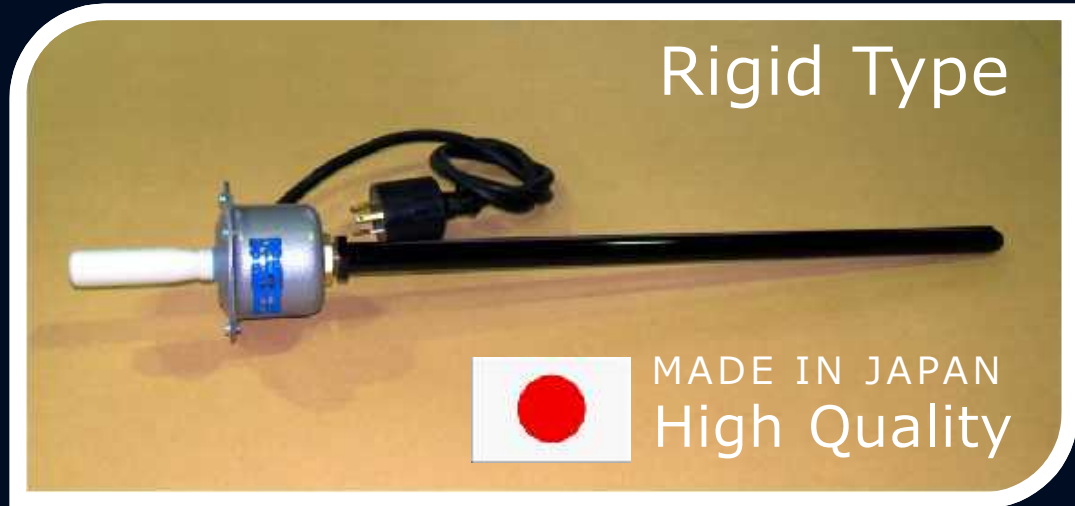
**NICHIBOKU LTD**  
 Made in Japan High Quality Products



Mark	Name Of Parts	Material	No.req'd	Remarks
01	PIPE	SUS 304	1	
02	HEATER ELEMENT		1	
03	INSULATOR	MGO	1	
04	HANDLE	CERAMIC	1	
05	TERMINAL BASE	BAKELITE	1	
06	TERMINAL SETTING -BOARD	SS-400	2	
07	TERMINAL SETTING -BOARD	BS	1	
08	TERMINAL COVER	SS-400	1	
09	LEAD BUSING	GUM	1	
10	CABLE	CHLORO PRENE	1	MT
11	NAME PLATE		1	NAKAI
12	3 CORE PLUG		NA	
13				
14				

# Nakai Bolt Heater

Rigid Type



MADE IN JAPAN  
 High Quality

MARKS	CAPACITY ( KW )	POWER	DIA	L	H	N.H	BOLT		Q'TY	REMARKS	W/CM2
			MM	MM	MM	MM	HOLE	SIZE			
01											
02											
03											
04											
05											
06											
07											
08											
09											
10											

TECHNICAL SPECIFICATIONS





**NICHIBOKU LTD**  
 Made in Japan High Quality Products



**MADE IN JAPAN**  
**High Quality**



# Nakai Bolt Heater

## INSPECTION REPORT

CUSTOMER : \_\_\_\_\_  
 NAME : BOLT HEATER  
 RATED : AC 1 PH 230V ( MARKS 01 : 4.78Kw / MARKS 02 : 3.94Kw / MARKS 03 : 2.03Kw )  
 ORDER NO. : S1-1  
 QUANTITY : 17 PCS

### INSPECTION ITEM

#### 1. CAPACITY & INSULATION RESISTANCE

MARKS	MFR. NO.	TESTING VOLTAGE	RESISTANCE ( Ω )	CAPACITY ( Kw )	REMARKS	JUDGMENT OF TEST	JUDGMENT
01	2312021	230V	11.11 Ω	4.761Kw	FLEXIBLE TYPE	RATED + 10 % (WITH IN)	GOOD
01	2312022	230V	11.10 Ω	4.766Kw	FLEXIBLE TYPE		
01	2312023	230V	11.13 Ω	4.753Kw	FLEXIBLE TYPE		
01	2312024	230V	11.12 Ω	4.757Kw	FLEXIBLE TYPE		
01	2312025	230V	11.12 Ω	4.757Kw	FLEXIBLE TYPE		
01	2312026	230V	11.11 Ω	4.761Kw	FLEXIBLE TYPE		
02	2312027	230V	13.44 Ω	3.936Kw	FLEXIBLE TYPE		
02	2312028	230V	13.45 Ω	3.933Kw	FLEXIBLE TYPE		
02	2312029	230V	13.44 Ω	3.936Kw	FLEXIBLE TYPE		
02	2312030	230V	13.45 Ω	3.936Kw	FLEXIBLE TYPE		
02	2312031	230V	13.44 Ω	3.936Kw	FLEXIBLE TYPE		
02	2312032	230V	13.47 Ω	3.927Kw	FLEXIBLE TYPE		
03	2312033	230V	25.23 Ω	2.017Kw	FLEXIBLE TYPE		
03	2312034	230V	25.22 Ω	2.018Kw	FLEXIBLE TYPE		
03	2312035	230V	25.27 Ω	2.014Kw	FLEXIBLE TYPE		
03	2312036	230V	25.26 Ω	2.014Kw	FLEXIBLE TYPE		
03	2312037	230V	25.26 Ω	2.014Kw	FLEXIBLE TYPE		

	A HEAD	JUDGMENT OF TEST	JUDGMENT
2. DIMENSIONAL		± 5mm	GOOD
3. VISUAL			GOOD
4. PAINTING			GOOD
5. DIELECTRIC STRENGTH TEST		AC 150KV / min	GOOD
6. INSULATION RESISTANCE TEST		Min 10 M Ω / at 20 °C : 1000V MEGGER	GOOD

DATE OF TEST : \_\_\_\_\_  
 DRAWING NO. : \_\_\_\_\_  
 FOR : \_\_\_\_\_  
 NOTE : \_\_\_\_\_

NAKAI CO.,LTD.  
 TESTING DIVISION SIGNATURE

*[Signature]*

TEST / INSPECTION REPORT





**NICHIBOKU LTD**  
Made in Japan High Quality Products



Nakai Bolt Heater

HANDLING PROFESIONAL EXPORT PROCEDURE  
SUPPLYING DIRECTLY FROM MANUFACTURE





# Nakai Bolt Heater

NICHIBOKU LTD  
Made in Japan High Quality Products



## 2015 Goal Achieved

We increased successfully new  
supplies in nine(9) countries



MADE IN JAPAN  
High Quality



GERMANY



MEXICO



TAIWAN



TAILAND



TAILAND



MALAYSIA



INDONESIA



TURKEY



CHILE





NICHIBOKU LTD  
Made in Japan High Quality Products



MADE IN JAPAN  
High Quality

Electromechanical Equipments

facebook®



nichibokukogyo

E-mail: [info@nichiboku.com](mailto:info@nichiboku.com)